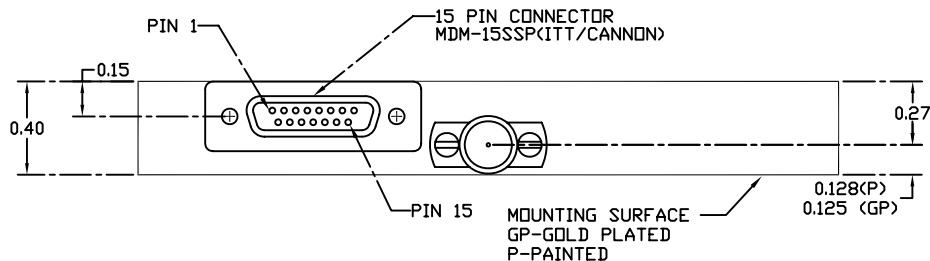
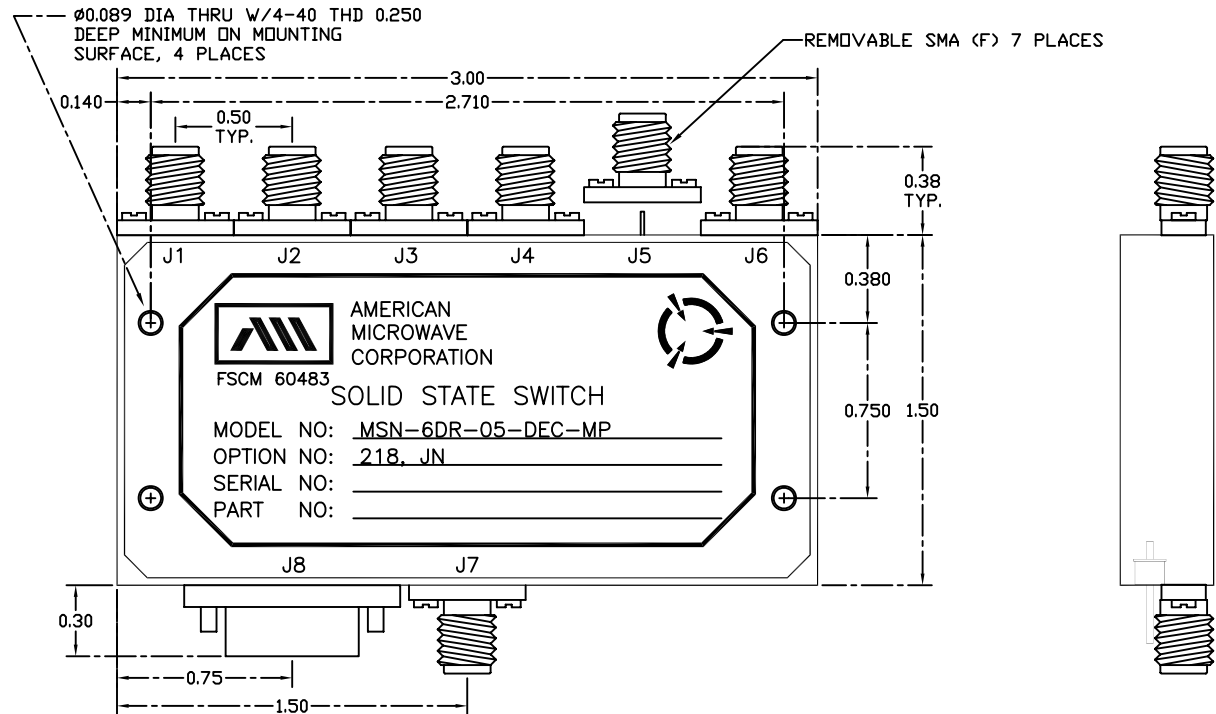


DESCRIPTION:

AMC MODEL MSN-6DR-05-DEC-MP OPTION 218, JN IS
 A REFLECTIVE SP8T SWITCH WITH VERY LOW INSERTION
 LOSS, HIGH ISOLATION DESIGN FOR 2 TO 18 GHz FREQUENCY
 RANGE WITH A 3 BIT DECODER.

| REVISIONS | | | | |
|-----------|------|--------------------------------|----------|----------|
| ZONE | REV. | DESCRIPTION | DATE | APPROVED |
| | - | ORIGINAL RELEASE JOB# 603059-2 | 07/28/06 | |



NOTE: THE ABOVE SPECIFICATIONS ARE SUBJECT TO CHANGE OR REVISION

| | | | | |
|-------------------|----------|--|----------|------------|
| PART NO. | | AMERICAN MICROWAVE CORPORATION FREDERICK, MARYLAND | | |
| APPROVALS | DATE | TITLE | | |
| DRAWN <i>PRB</i> | 07/21/06 | OUTLINE DRAWING MSN-6DR-05-DEC-MP REFLECTIVE, OPTIONS: 218, JN SOLID STATE SWITCH | | |
| CHECKED <i>RA</i> | 07/31/06 | SIZE | FSCM NO. | DWG NO. |
| ISSUED | | A | 60483 | 100-4151-5 |
| | | SCALE 1:1 | | REV. - |
| | | | SHEET | 2 of 4 |

| REVISIONS | | | | |
|-----------|------|--------------------------------|----------|----------|
| ZONE | REV. | DESCRIPTION | DATE | APPROVED |
| | - | ORIGINAL RELEASE JOB# 603059-2 | 07/28/06 | |

DESCRIPTION:

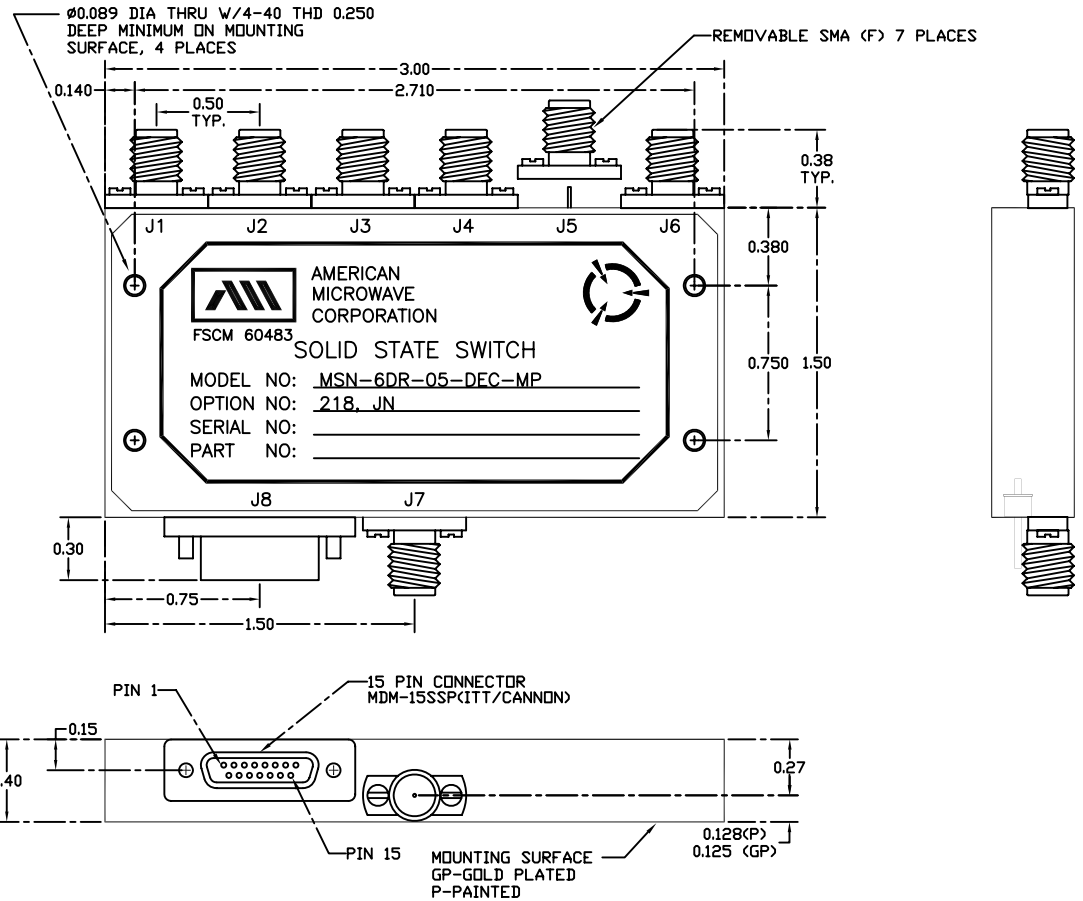
AMC MODEL MSN-6DR-05-DEC-MP OPTION 218, JN IS A REFLECTIVE SP8T SWITCH WITH VERY LOW INSERTION LOSS. HIGH ISOLATION DESIGN FOR 2 TO 18 GHz FREQUENCY RANGE WITH A 3 BIT DECODER.

SPECIFICATIONS:

- FREQUENCY: 2 GHz TO 18 GHz
- INSERTION LOSS: REFLECTIVE: 3.0db MAXIMUM
- ISOLATION: 2 GHz TO 18 GHz: 60db MINIMUM
- VSWR: REFLECTIVE INPUT/OUTPUT(ON): 2.0:1
- SPEED: RISE: 10ns TYPICAL, 15nS MAX.
FALL: 10ns TYPICAL, 15nS MAX.
DELAY ON: 75ns TYPICAL, 100nS MAX.
DELAY OFF: 75ns TYPICAL, 100nS MAX.
- POWER SUPPLY: +5V @ 300mA MAX.
-5V @ 75mA MAX.(RELECTIVE)

OPTIONS:

INDEPENDANT CONTROL WITH SOLDER PIN STANDARD
 218: 2 GHz TO 18 GHz (NO CHANGE IN INSERTION LOSS)
 JN INSERTION LOSS 30dB MAX. AND ISOLATION OF 60 dB MIN.
 SPECIFICATIONS FOR MR. JOHN NOVAK.



ENVIRONMENTAL RATINGS

- TEMPERATURE -54°C TO +85°C (OPERATING)
-65°C TO +100°C (STORAGE)
- HUMIDITY MIL-STD-202F, METHOD 103B COND. B
- SHOCK MIL-STD-202F, METHOD 213B COND. B
- VIBRATION MIL-STD-202F, METHOD 204D COND. B
- ALTITUDE MIL-STD-202F, METHOD 105C COND. B
- TEMPERATURE CYCLE MIL-STD-202F, METHOD 107D COND. A

NOTE: THE ABOVE SPECIFICATIONS ARE SUBJECT TO CHANGE OR REVISION

| PIN OUT TABLE | |
|---------------|----------|
| 3 BIT DECODER | |
| PIN NO. | FUNCTION |
| 1 | E1 |
| 2 | E2 |
| 3 | E3 |
| 4 | N/C |
| 5 | N/C |
| 6 | N/C |
| 7 | N/C |
| 8 | N/C |
| 9 | N/C |
| 10 | N/C |
| 11 | N/C |
| 12 | GND |
| 13 | +V |
| 14 | -V |
| 15 | GND |

ALL DIMENSIONS ARE IN INCHES
 TOLERANCES:
 X.XX ±0.020
 X.XXX ±0.010

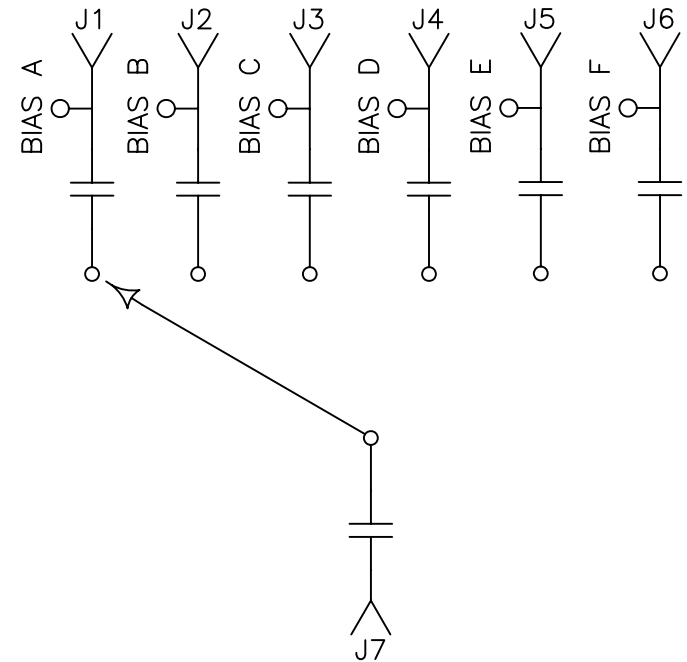
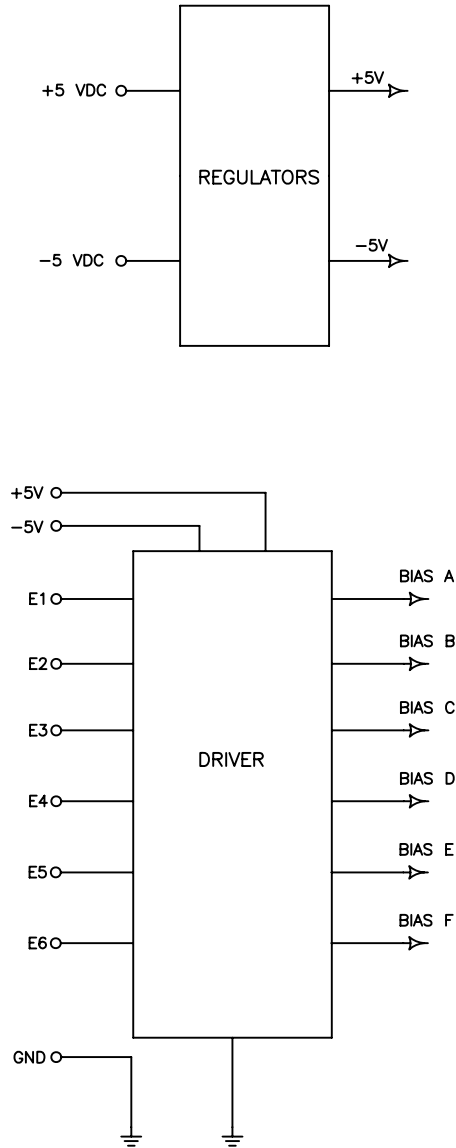
| | | | |
|----------------------|----------|--|-----------------------|
| PART NO. | | AMERICAN MICROWAVE CORPORATION FREDERICK, MARYLAND | |
| APPROVALS | DATE | TITLE | |
| DRAWN <i>PRB</i> | 07/21/06 | OUTLINE DRAWING MSN-6DR-05-DEC-MP REFLECTIVE, OPTIONS: 218, JN SOLID STATE SWITCH | |
| CHECKED <i>RA</i> | 07/31/06 | SIZE | REV. |
| ISSUED | | FSCM NO. A 60483 | DWG NO. 100-4151-5 |
| | | SCALE 1:1 | SHEET 1 of 4 |

DESCRIPTION:


AMC MODEL MSN-6DR-05-DEC-MP OPTION 218, JN IS A REFLECTIVE SP8T SWITCH WITH VERY LOW INSERTION LOSS. HIGH ISOLATION DESIGN FOR 2 TO 18 GHz FREQUENCY RANGE WITH A 3 BIT DECODER.

| REVISIONS | | | | |
|-----------|------|--------------------------------|----------|----------|
| ZONE | REV. | DESCRIPTION | DATE | APPROVED |
| | - | ORIGINAL RELEASE JOB# 603059-2 | 07/28/06 | |

FUNCTIONAL BLOCK DIAGRAM



NOTE: THE ABOVE SPECIFICATIONS ARE SUBJECT TO CHANGE OR REVISION

| | | | |
|-------------------|----------|---|--------------|
| PART NO. | |  AMERICAN MICROWAVE CORPORATION FREDERICK, MARYLAND | |
| APPROVALS | DATE | TITLE | |
| DRAWN <i>PRB</i> | 07/21/06 | OUTLINE DRAWING MSN-6DR-05-DEC-MP REFLECTIVE, OPTIONS: 218, JN SOLID STATE SWITCH | |
| CHECKED <i>RA</i> | 07/31/06 | SIZE | REV. |
| ISSUED | | A | 60483 |
| | | FSCM NO. | DWG NO. |
| | | | 100-4151-5 |
| | | SCALE 1:1 | SHEET 3 of 4 |